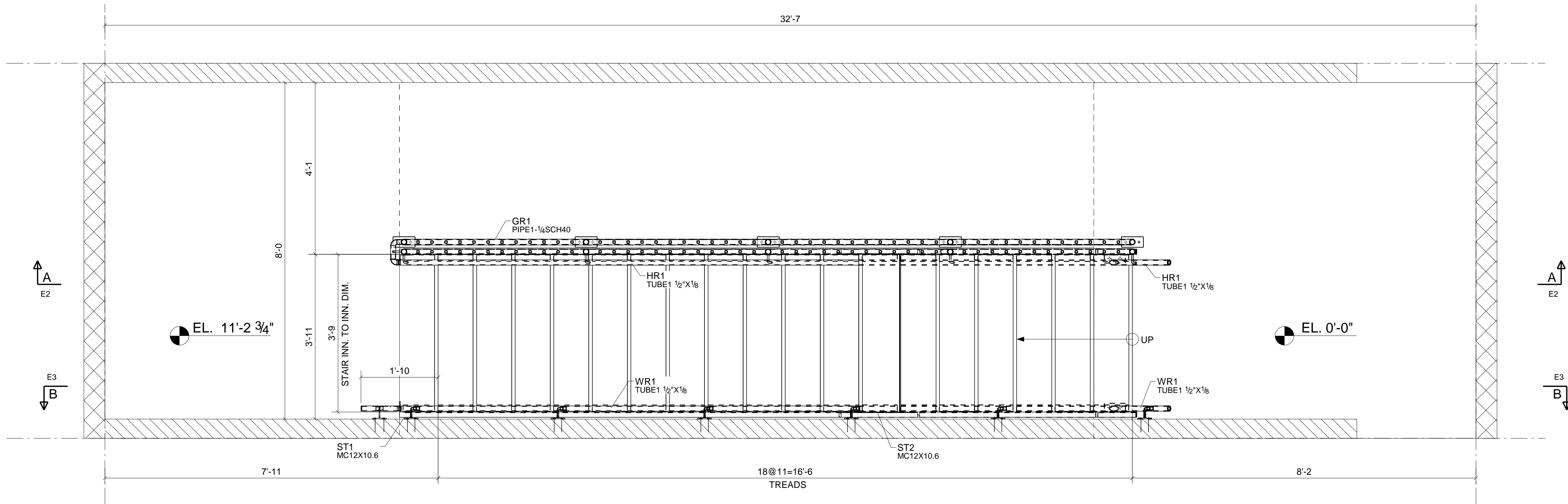
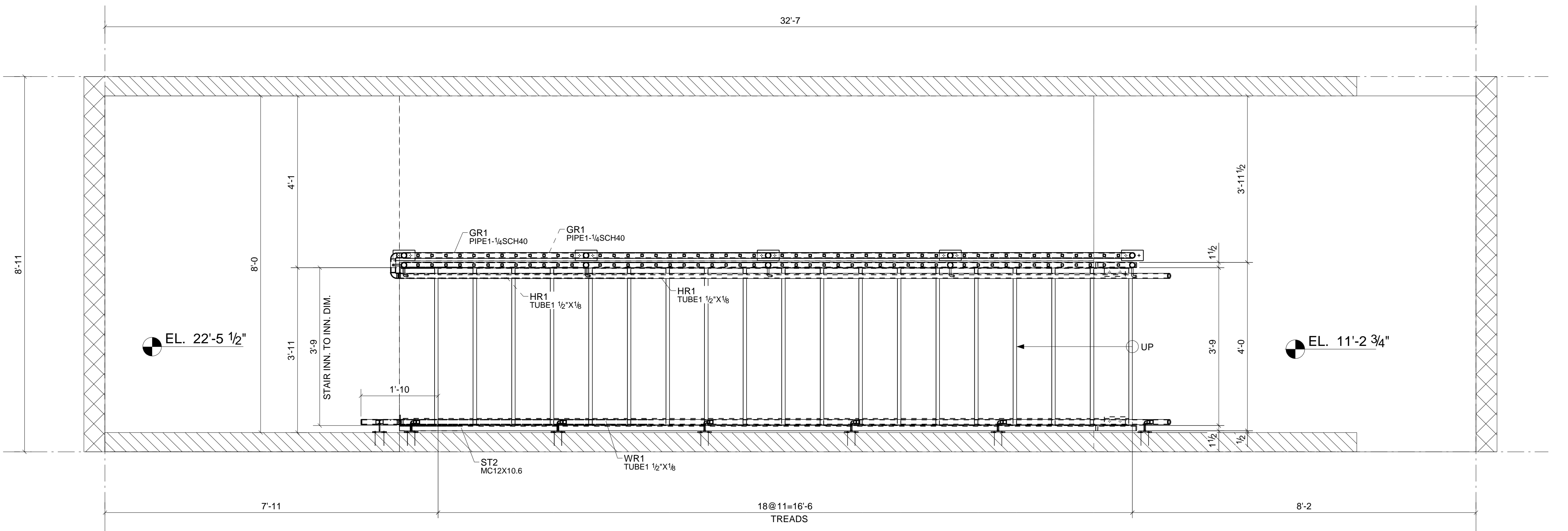


ONE - STRINGER - ST1

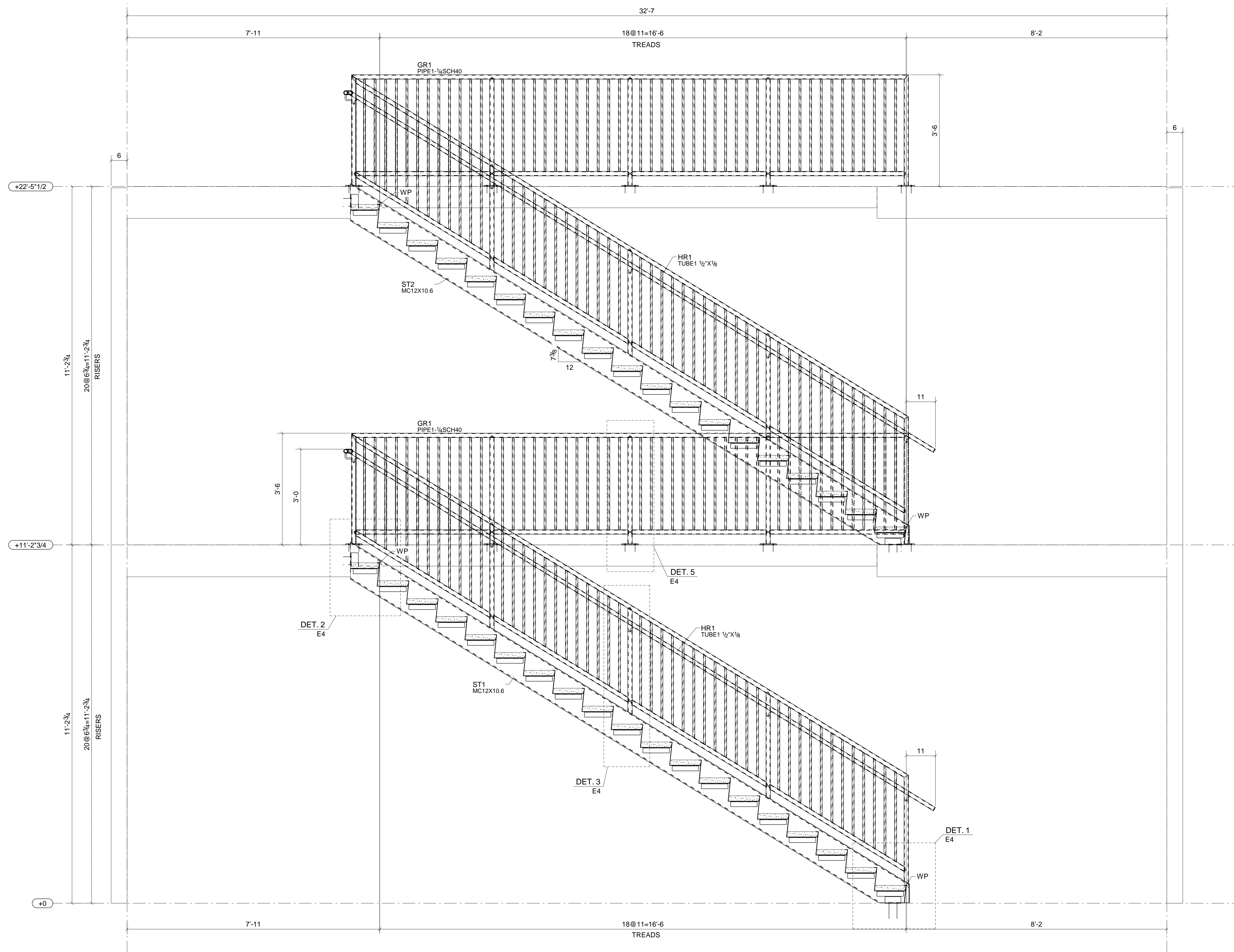
BILL OF MATERIAL					
MARK	QTY	DESCRIPTION	LENGTH	WEIGHT	REMARKS
ST1	1	STRINGER			BEV-2
ST1	1	MC12X10.6	20'-9 15/16"	220	A36
a1	2	L3X3X1/4	0'-6"	5	A36
a2	36	L2X2X3/16	0'-10"	73	A36
a3	2	L2-1/2X2-1/2X3/16	0'-6"	3	A36
a5	2	L2X2X3/16	0'-9"	4	A36
ch1	1	MC12X10.6	20'-9 15/16"	220	A36
p2	2	FL1/4"X1 1/2"	0'-7 1/16"	2	A36
pn1	18	SHT12GAX22"	3'-9"	520	A36
pn2	1	SHT12GAX7 5/16"	3'-9"	10	A36
pn3	1	SHT12GAX11 3/8"	3'-9"	15	A36
	4	5/8"Ø WEDGE_ANC BOLT	0'-6"		Site
	4	3/8"Ø WOOD LAGS 3/8X3" BOLT	0'-3"		Site
TOTAL WEIGHT THIS DRAWING				1070	



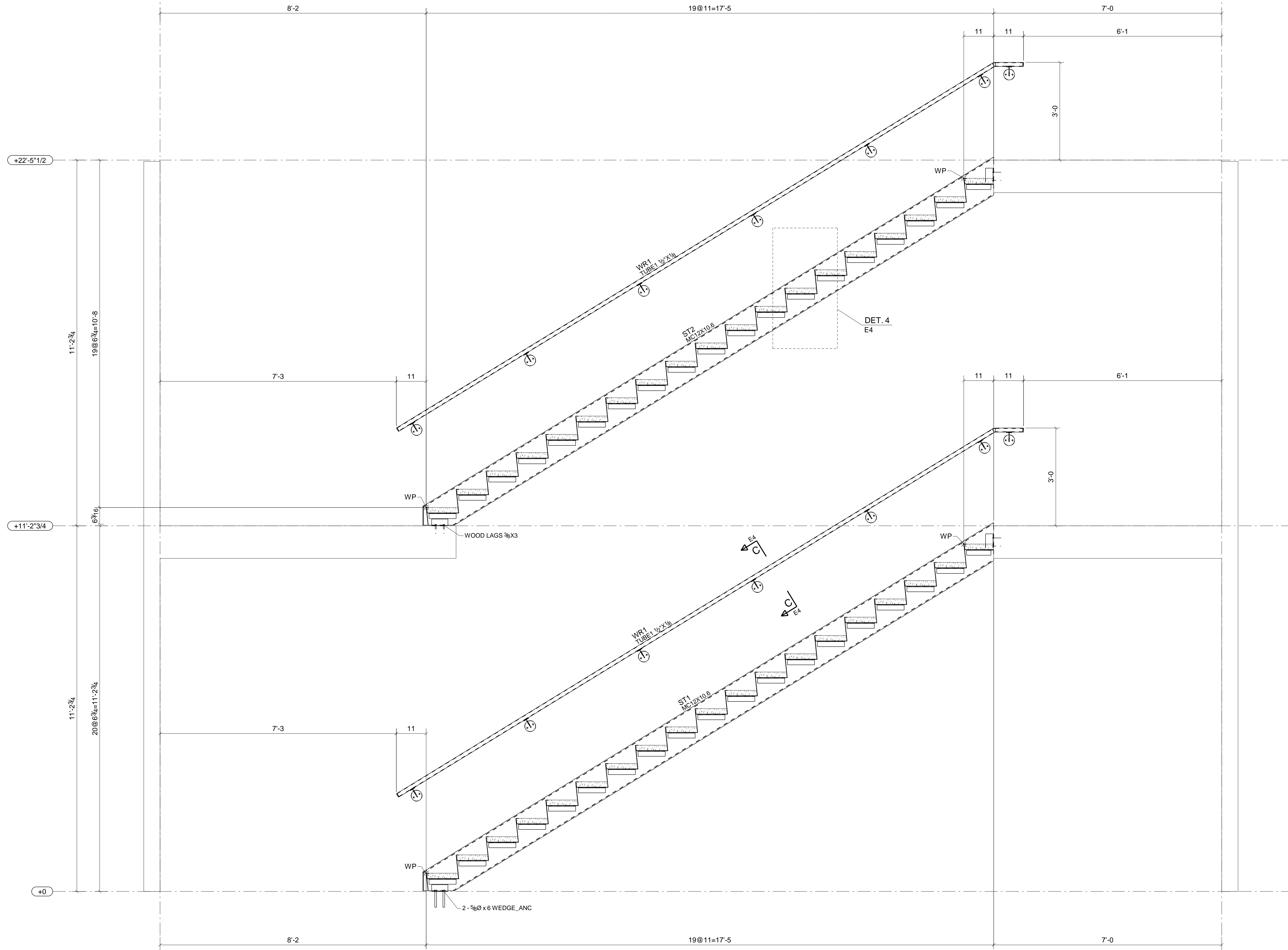
FIRST FLOOR STAIR PLAN



SECOND FLOOR STAIR PLAN

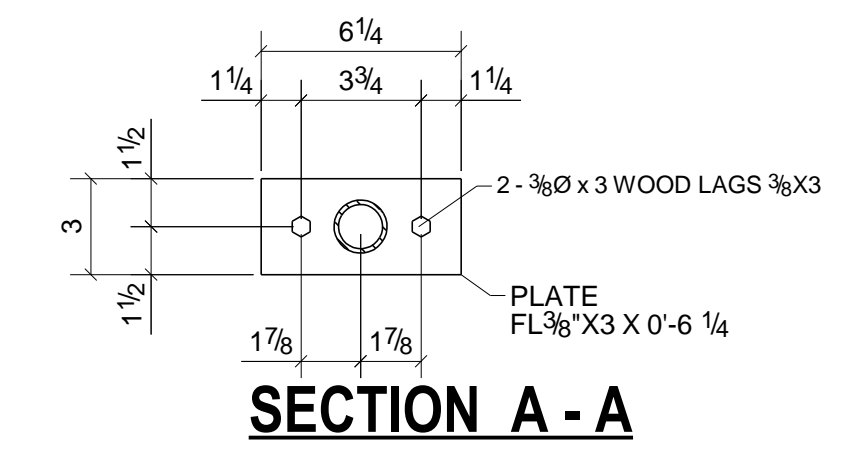
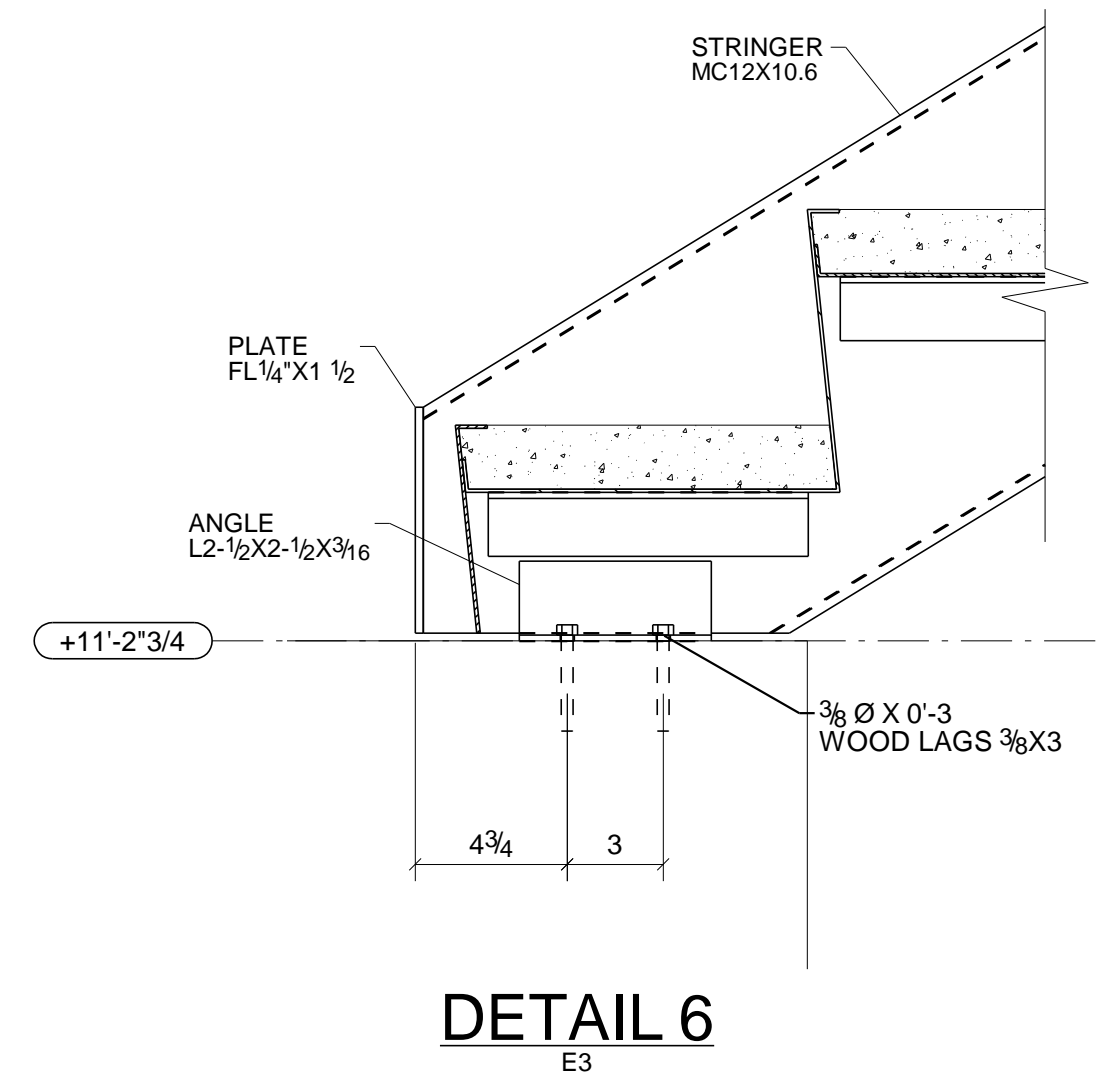
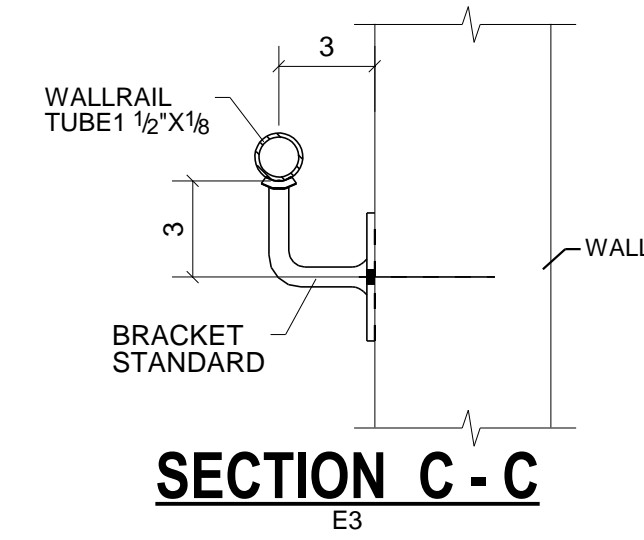
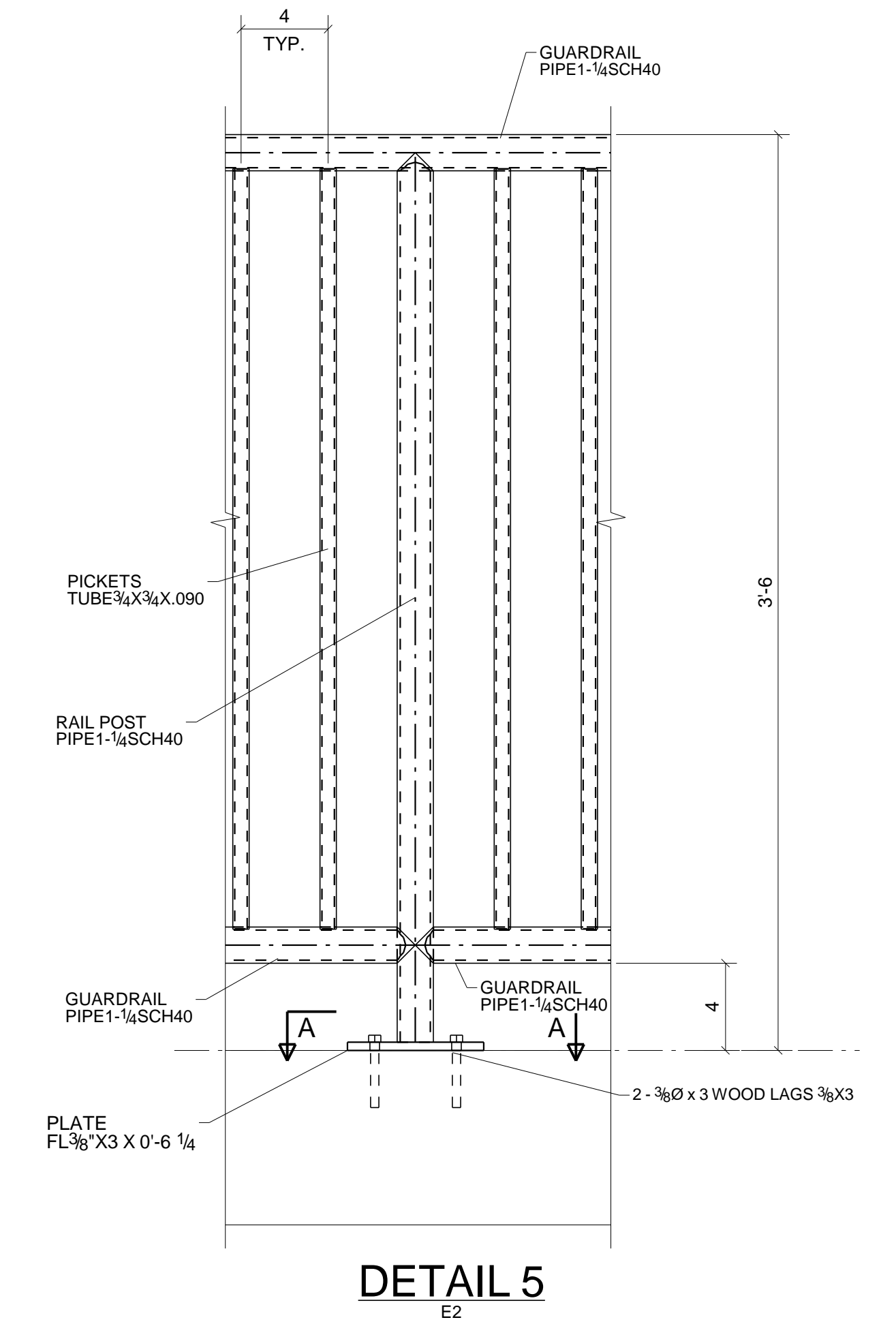
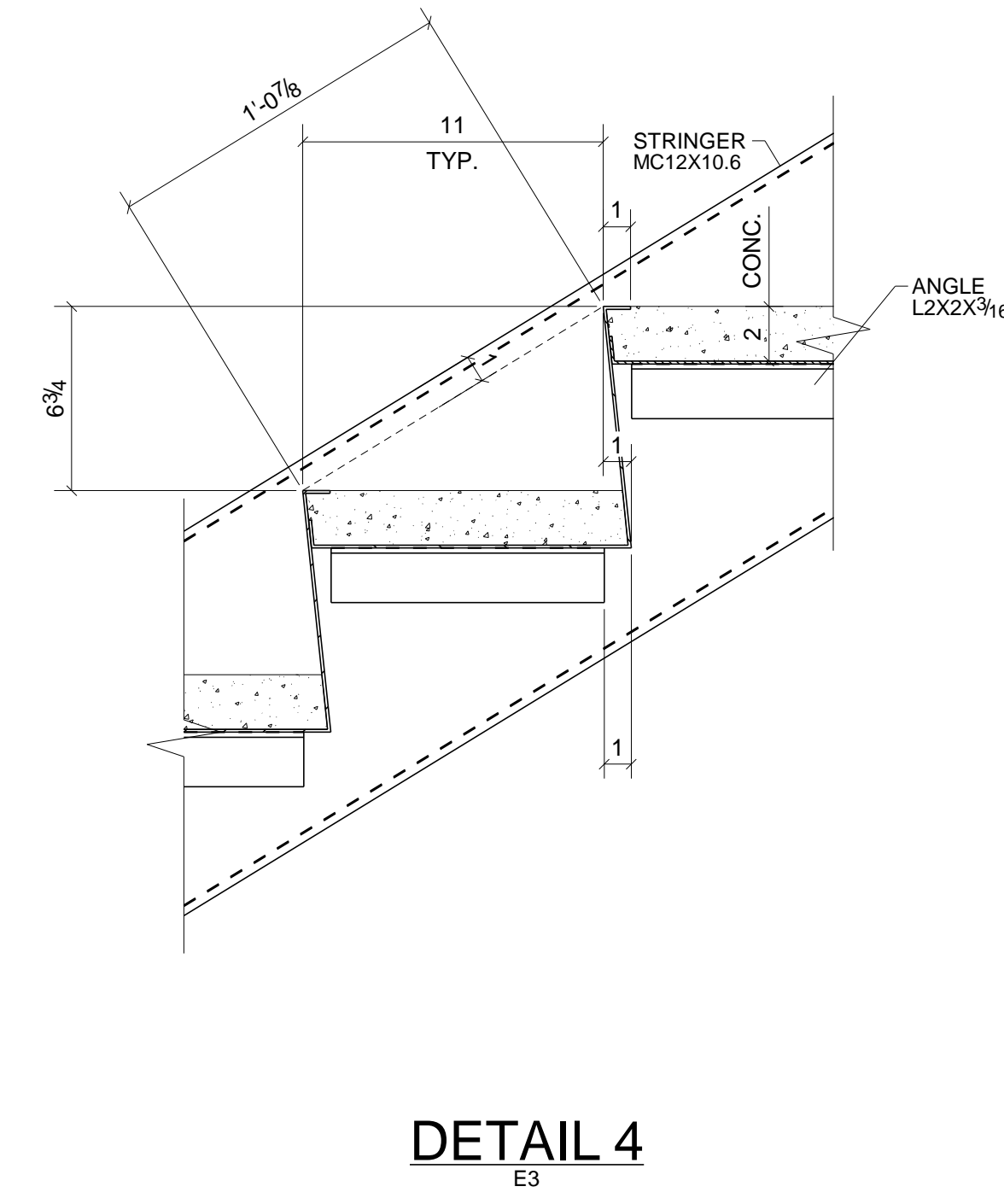
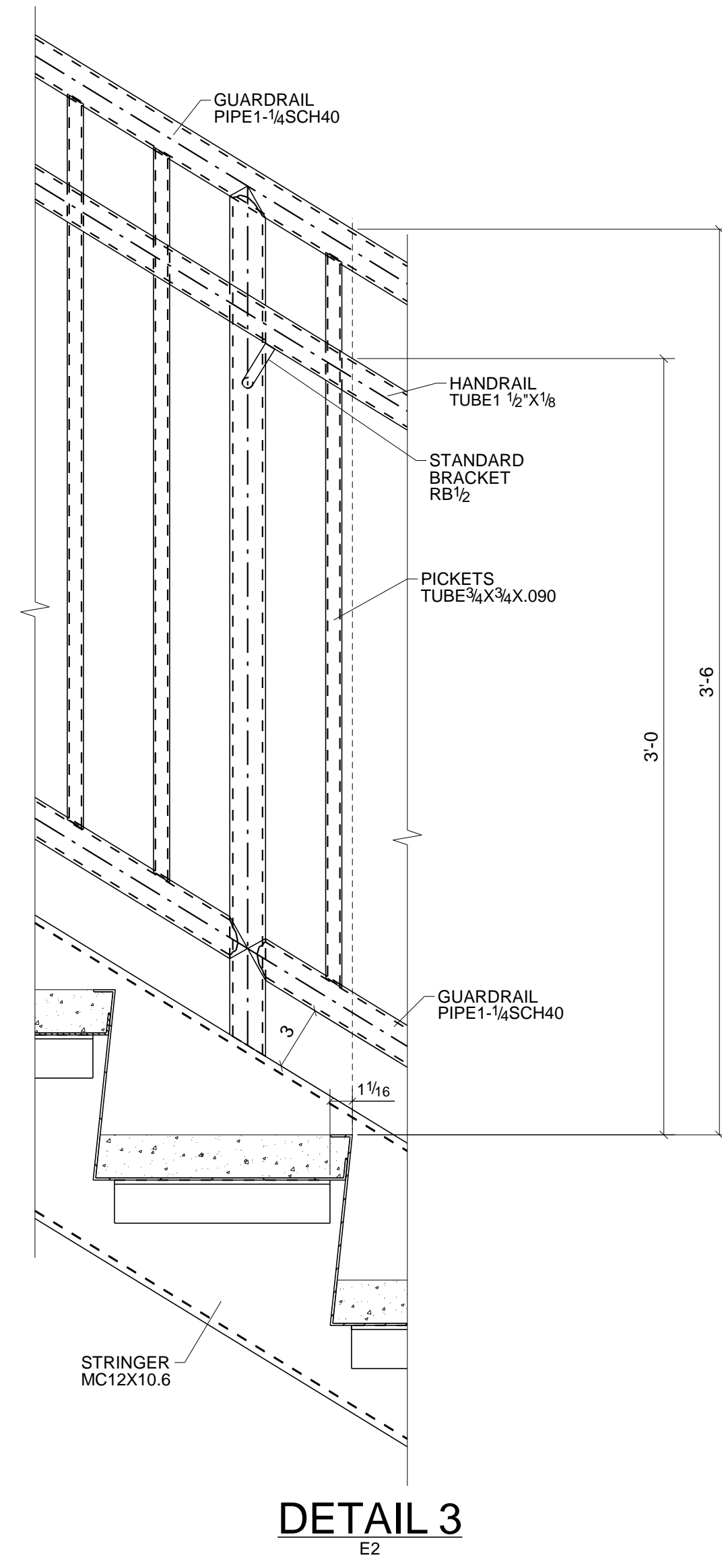
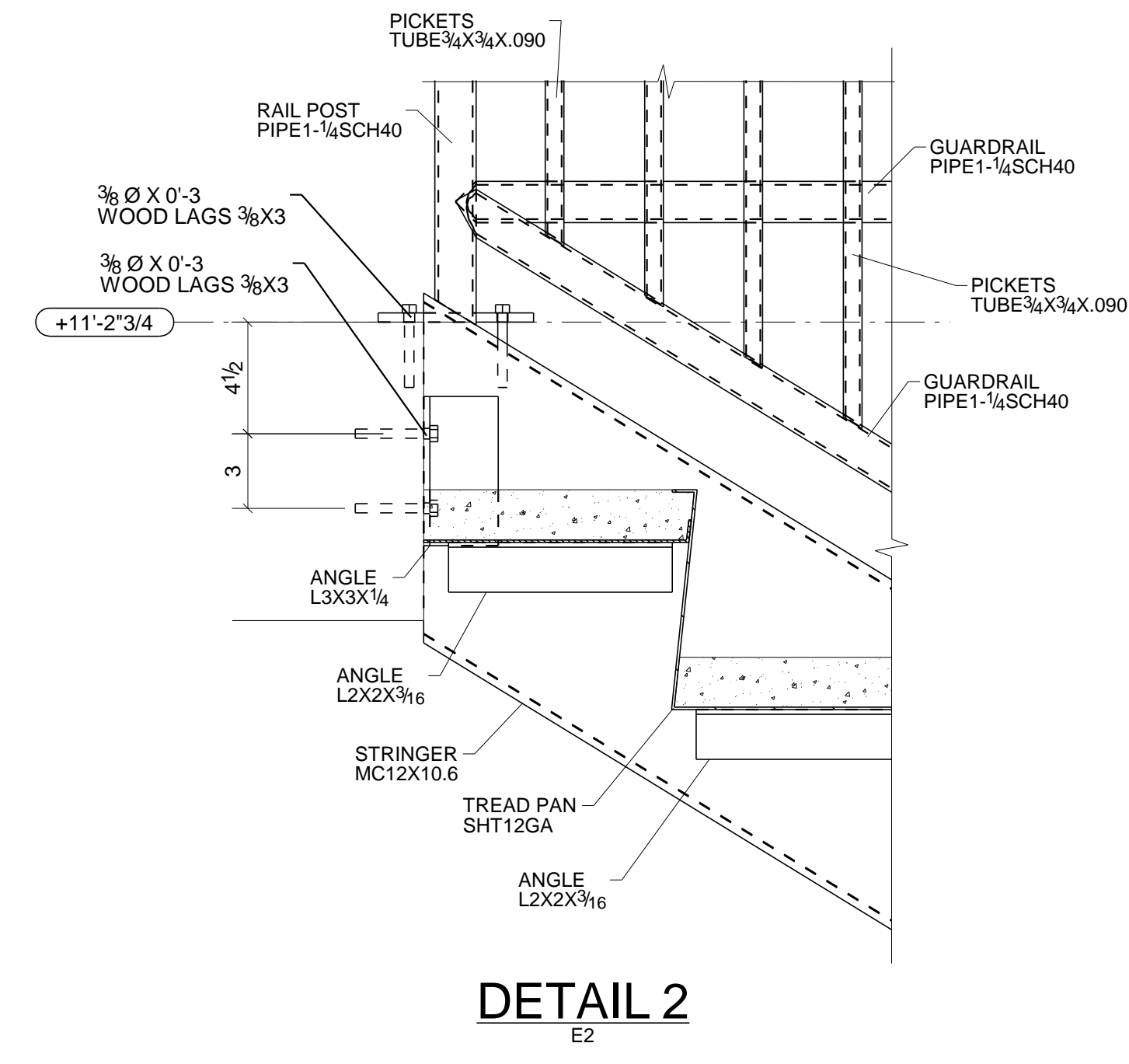
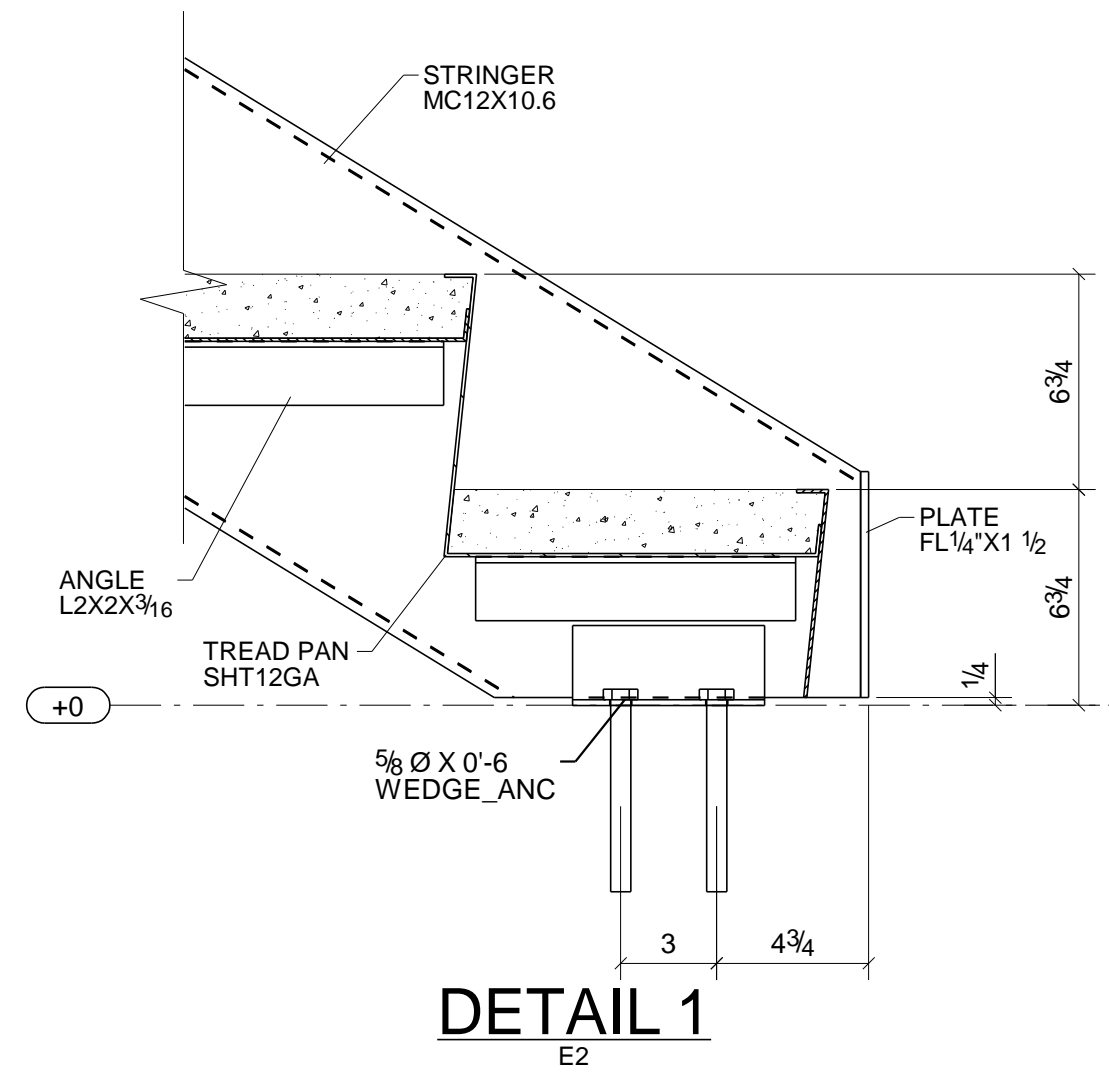


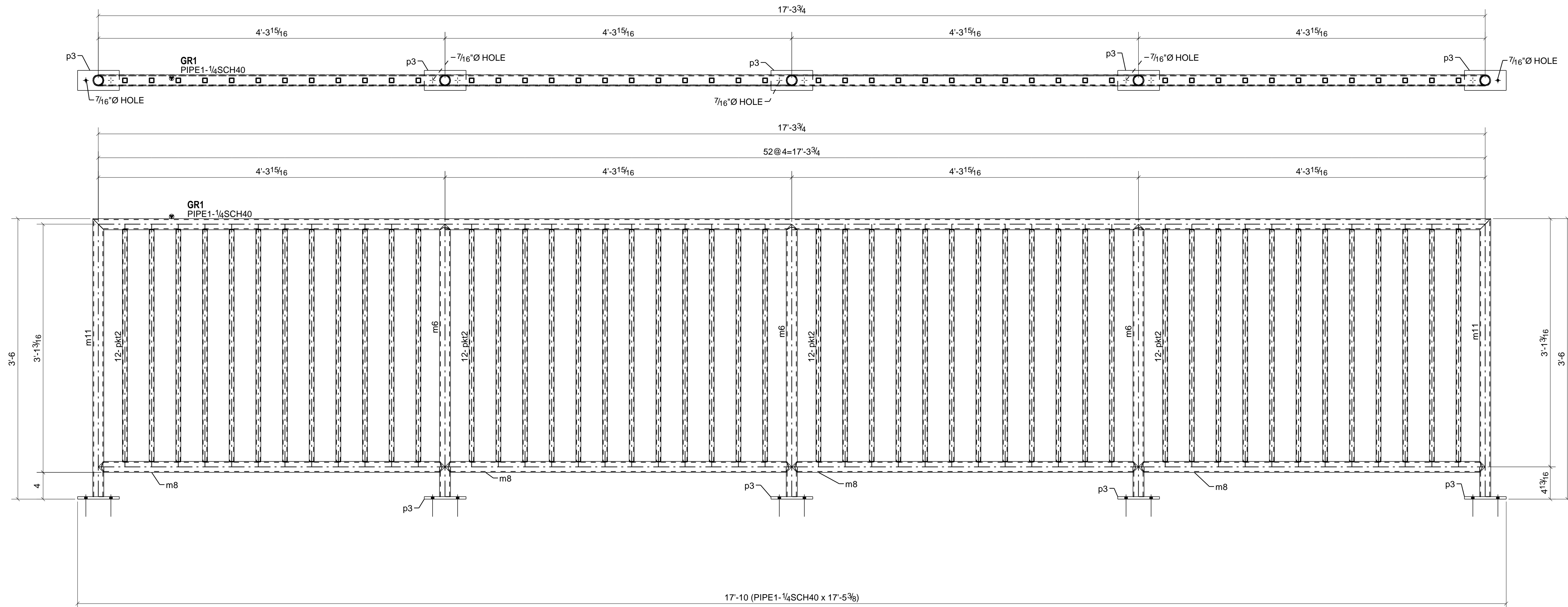
SECTION A - A
E1



SECTION B - B

E1

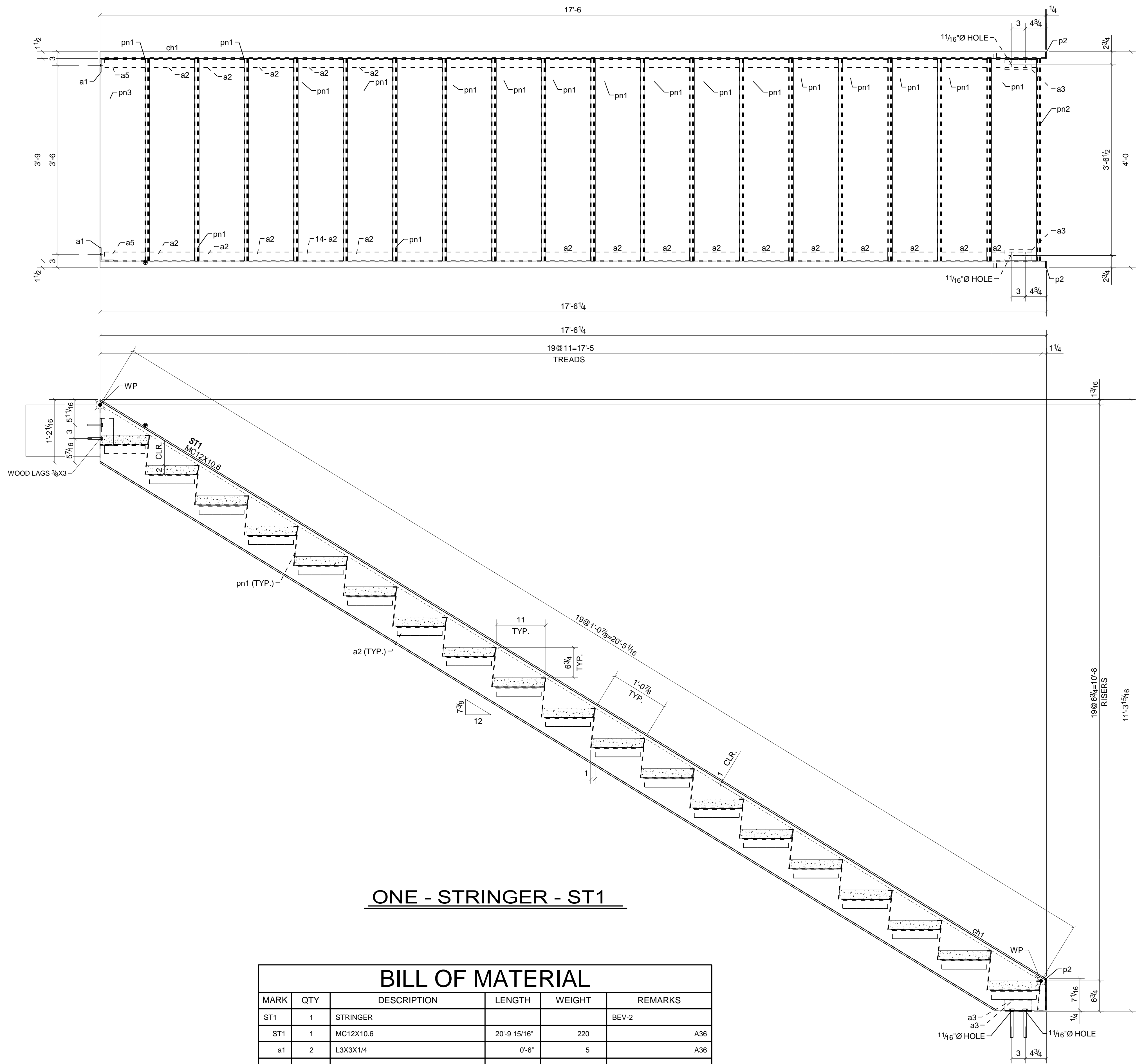




2 - GUARDRAILS - GR1

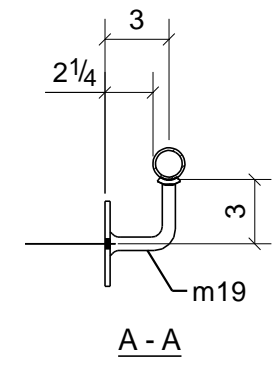
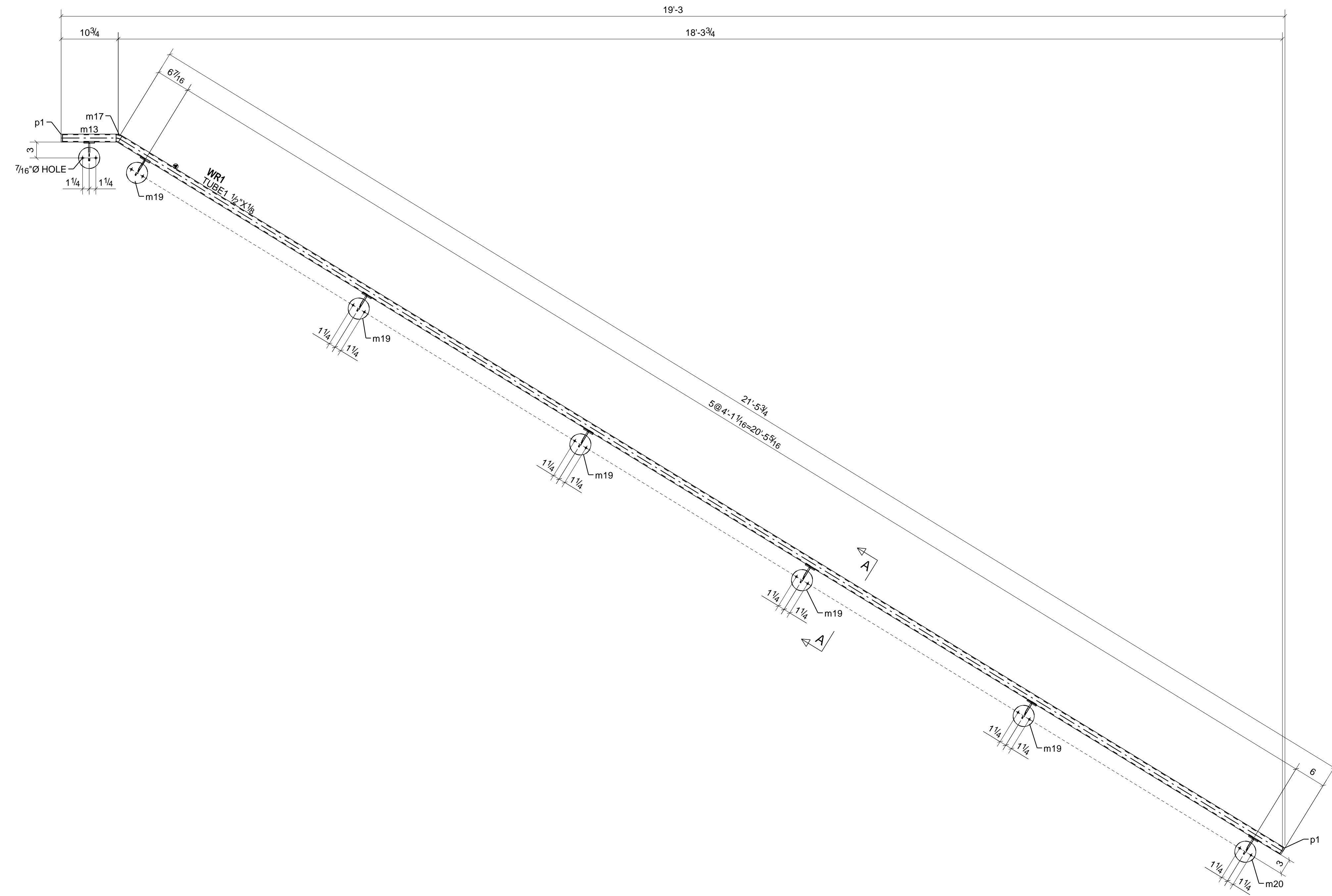
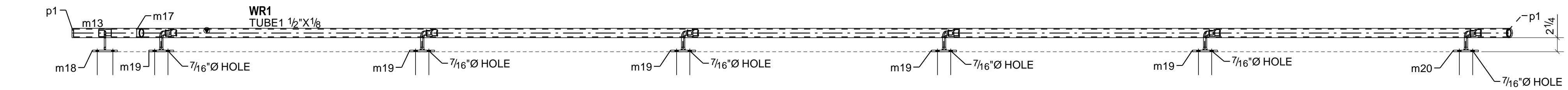
BILL OF MATERIAL

MARK	QTY	DESCRIPTION	LENGTH	WEIGHT	REMARKS
GR1	2	GUARDRAILS			BEV-2
GR1	2	PIPE1-1/4SCH40	17'-5 3/8"	75	A53
m6	6	PIPE1-1/4SCH40	3'-4 13/16"	44	A53
m8	8	PIPE1-1/4SCH40	4'-3 15/16"	74	A53
m11	4	PIPE1-1/4SCH40	3'-5 5/8"	30	A53
p3	10	FL3/8"X3"	0'-6 1/4"	20	A36
pk12	96	TUBE3/4X3/4X.090	2'-10 7/8"	225	A500-GR.B
	20	3/8"Ø WOOD LAGS 3/8X3" BOLT	0'-3"		Site
TOTAL WEIGHT THIS DRAWING				468	



ONE - STRINGER - ST1

BILL OF MATERIAL					
MARK	QTY	DESCRIPTION	LENGTH	WEIGHT	REMARKS
ST1	1	STRINGER			BEV-2
ST1	1	MC12X10.6	20'-9 15/16"	220	A36
a1	2	L3X3X1/4	0'-6"	5	A36
a2	36	L2X2X3/16	0'-10"	73	A36
a3	2	L2-1/2X2-1/2X3/16	0'-6"	3	A36
a5	2	L2X2X3/16	0'-9"	4	A36
ch1	1	MC12X10.6	20'-9 15/16"	220	A36
p2	2	FL1/4"X1 1/2"	0'-7 1/16"	2	A36
pn1	18	SHT12GAX22"	3'-9"	520	A36
pn2	1	SHT12GAX7 5/16"	3'-9"	10	A36
pn3	1	SHT12GAX11 3/8"	3'-9"	15	A36
	4	5/8"Ø WEDGE_ANC BOLT	0'-6"		Site
	4	3/8"Ø WOOD LAGS 3/8X3" BOLT	0'-3"		Site
TOTAL WEIGHT THIS DRAWING				1070	



2 - WALLRAILS - WR1

BILL OF MATERIAL					
MARK	QTY	DESCRIPTION	LENGTH	WEIGHT	REMARKS
WR1	2	WALLRAILS			SQ-2
WR1	2	TUBE1 1/2\"X1/8"	21'-5 1/8"	75	A53
m13	2	TUBE1 1/2\"X1/8"	0'-10 1/8"	3	A53
m17	2	TUBE1 1/2\"X1/8"	0'-0 13/16"	0	A53
m18	2	RB4"	0'-3 9/16"	3	A36
m19	10	RB4"	0'-3 9/16"	13	A36
m20	2	RB4"	0'-3 9/16"	3	A36
p1	4	FL1/4\"X1 1/2"	0'-1 1/2"	0	A36
TOTAL WEIGHT THIS DRAWING				96	